

Br3

PROGRAMMABLE 3 RELAY LOGIC MODULE



12 INDIVIDUAL FUNCTIONS
MULTIPLE APPLICATIONS
USER-FRIENDLY INTERFACE

Quality
Intelligence
Precision

The Br3 contains logic for multiple applications including simple timing, door mounted sensor inhibiting and advanced relay sequencing allowing the technician to carry only one module.

- Multi-functionality offers increased value by combining legacy MC-Linx functionality in addition to new and more advanced functions for a variety of applications.
- Contains 3 relays; 2 large power relays and 1 small signal relay.
- Built-in surge suppression in all 3 relays eliminates the need for external components when installing electric locking devices.
- Provides the ability to select a 'WET' voltage output of up to 1 AMP on Relay 1 to power electric locking devices without the need for an external power supply.
- Advanced input power circuitry for better protection, including a resettable fuse.

WWW.BEASENSORS.COM

A HALMA COMPANY

BEA
OPEN UP NEW HORIZONS

PRODUCT DETAILS

FUNCTION	SUBJECT	MOST COMMON APPLICATIONS
10 (MC10)	Simple Timer	Time delay relay.
11 (MC11)	Ratchet / Latching	Push to open / Push to close.
21 (LE21)	Inhibitor with Door Position Input	Automatic swing door with push plate, approach side SuperScan is inhibited when door is closed.
★ 22 (LE22)	2 Relay Sequence Inhibitor with Door Position Input	Automatic swing door with push plate, approach side SuperScan and Electric Strike. SuperScan is inhibited when door is closed.
25 (MC25)	2 Relay Sequence	Automatic swing door with a push plate and electric locking devices.
★ 28 (MC28)	2 Relay Sequence with Door Position Input	Automatic swing door with a push plate and electric locking devices with a door position switch to prevent the delay from running when recycled before closing.
★ 29 (MC29)	Relay 1 Deactivation Timer	Automatic swing door or sliding door with an electric locking device and door position switch to prevent lock from reengaging before door closes completely.
★ 35 (MC35)	3 Relay Sequence	Two door vestibule with automatic swing doors and single electric locking device.
50 (MC50)	Interlock Timer with Door Position Inputs	Interlock module that will only allow one door to open at a time and can be used with any automatic or manual door.
55 (MC55)	Interlock Ratchet with Door Position Inputs	Interlock module that will only allow one door to open at a time with a ratchet function and can be used with any automatic or manual door.
65 (MC65)	2-Way, 2 Relay Sequence	Two door vestibule sequencing with automatic swing doors traveling in either direction.
75 (MC75)	2 Relay Sequence	Automatic swing door with a push plate and electric locking devices with a 'WET' input.

★ Indicates a new function

Br3 TECHNICAL SPECS

Supply Voltage
12-24 VAC / VDC:
+/- 10%

Power Consumption
30-130 mA
(‘DRY’ Output)

Temperature Range
-15°F to 150°F
-26°C to 65°C

Dimensions
5.2" x 2.2" x 1.0"
133mm x 55mm x 25mm

Housing Material
ABS - Grey

Input Specification
1-4: ‘DRY’ Contact

‘WET’ Input

5 to 24 VAC/VDC: +/- 10%

Contact Rating ‘DRY’
Relay 1

3 A at 24 VAC; 3 A at 30 VDC

Relay 2

3 A at 24 VAC; 3 A at 30 VDC

Relay 3

1 A at 24 VAC; 1 A at 30 VDC

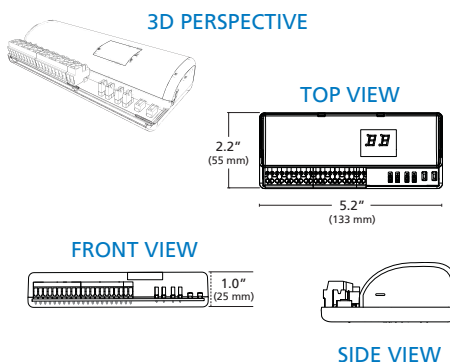
Contact Rating ‘WET’

Relay 1

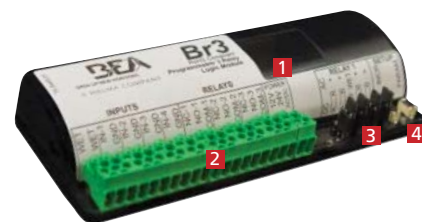
1 A

Br3 FEATURES

DIMENSIONAL DRAWINGS



Br3 COMPONENTS



- 1 Numeric LED Display
- 2 Screw Terminal for Input / Outputs
- 3 ‘WET’ Output Selector
- 4 Programming Push Buttons

PRODUCT RELATED PRODUCTS



Push Plates

Weather resistant, stainless steel push plates are perfect for any knowing-act application



Door Position Switches

Series of magnetic switches for swinging door applications



SuperScan

Door mounted, active infrared safety sensor
Housing sizes range from 34.5" to 48"



RF-433

433 MHz digital receivers and transmitters with sequencing function



Maglocks

UL and Non-UL listed offer ultimate protection for any access control or request to exit application